

Adaptable and strong 6000kg capacity hydraulic 2 post lift with double jointed arms

Nussbaum

POWER LIFT 2.6 HL SST DG

made
in
Germany



The 2.6o SST DG is not only one of the most innovative hoists utilising Nussbaum's SST proprietary technology but it is also one of the most adaptable 2 post hoists. With Nussbaum's double-jointed arms system, the arms fold inwards to easily reach the pickup points on small wheel base vehicles and when extended, they provide extreme stability lifting large and heavy vehicles. The 6000kg lifting capacity means servicing anything from Smart Cars to light trucks.

FEATURES

- Lifting capacity 6000 kg
- Equipped with flexible and space-saving double-jointed arms, the lift can pick up from smallest car (e.g. smart) up to large commercial vans with optimal height adapter
- Fast lifting and lowering
- No mechanical connection between columns
- Simple connection, can be over the top or installed in-ground
- Smooth start in lifting and lowering
- Low maintenance and almost wear-free hydraulic cylinder
- SST (Safety Star Technology) – this Nussbaum proprietary system guarantees ultimate safety at any working height and synchronicity accuracy within 0.1mm
- Originally developed and produced by Nussbaum
- Made in Germany



Molnar Hoists are the Australian agents for Nussbaum, for more information, please contact us on:

T 08 7120 8700 or 1300 MOLNAR (within Australia) **F** 08 8346 0097
E sales@molnarhoists.com.au www.molnarhoists.com.au

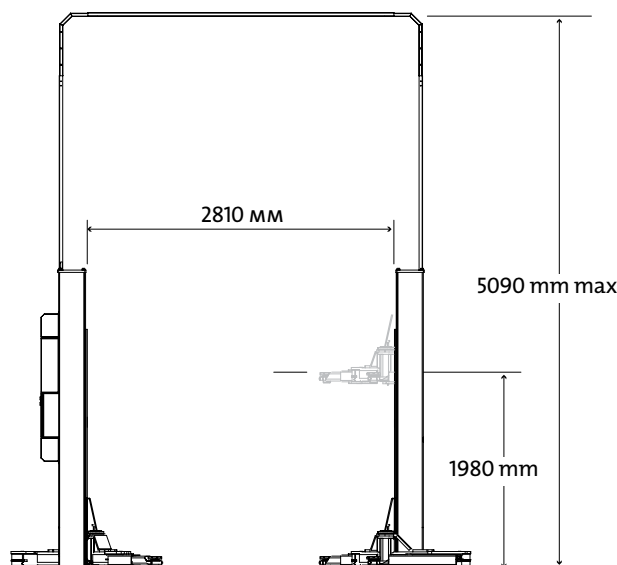
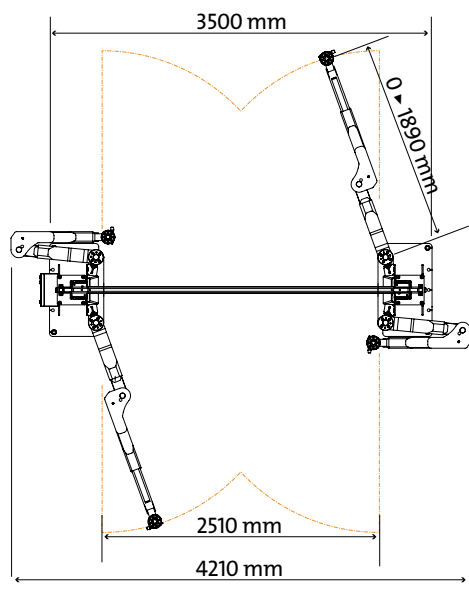
onwards & upwards

Nussbaum

POWER LIFT 2.6 HL SST DG

made
in
Germany

6 TONNE 2 POST HOIST WITH DOUBLE JOINTED ARMS



PRODUCT SPECIFICATIONS

Footprint	4210 x 4390 mm
Length	1150 ▶ 4390 mm
Width	3500 ▶ 4210 mm
Height	4640 ▶ 5090 mm (for surface connection) 2736 ▶ 3980 mm (for in-ground connection)
Lifting Capacity	6000 kg
Maximum Raised Height	1980 mm
Minimum Lowered Height	105 ▶ 180 mm
Minimum Lifting Time	65 seconds
Arm Extension Range	0 - 1890 mm
Drive through Width	2510 mm
Width between columns	2810 mm
Motor	3 Phase, 3 kW, 400 V, 50 Hz
Required Fuse	16 A
Finish	Powder Coated for added durability Aluminium plated ramps and platforms
Concrete Depth	Thickness 250mm, Quality C20/25 (B25)
Hydraulic Oil	high quality, 32 weight, anti-wear
Gross Weight	1500 kg
Warranty	12 Months
Documentation	Comprehensive service manuals and installation instructions included

FEATURES

Operational	Push buttons for raise & lower
	Back-illuminated LC-Display for level and working heights visualization
	Double jointed arms
	Height adjustable pickup pads
Safety	Pressure relief valve (prevents overload)
	Holding Check Valve
	Lockable main switch
	Deadman controls (automatic stop when released)
	Safety device against unintentional lowering
	CE-Stop Safety device to avoid crushing during lowering
	SST – Safety Star Technology Hydraulic unlocking safety system at the cylinder
	Meets Australian Standards AS/NZ 1418.9:1996
	Design Registration Number SD-20122191-1

ACCESSORIES

Pad adapters	A [adjustable 110–220mm, set of 4, max lift 4200kg] B [adjustable 85–185mm, set of 4, max lift 4200kg]
Safety adapter	for Mercedes Benz vehicles with car jack “in sill panel”
Safety belt	Mercedes Benz 100/ GW/ Sprinter
Vehicle adapters	For a range of Vehicles

OPTIONS

Special colour	With RAL-Colour Powder coating
	Pneumatic tool support screwed on column
	Pneumatic hose support, 1 unit
Energy set	Attached to the column 230V / 400V power and 2 compressed air outlets
MINI-MAX	Height adjustable pickup pad
Remote	Problem diagnosis via ISDN or Modem

Manufacturer reserves the right to change specifications without notice.



Molnar Hoists are the Australian agents for Nussbaum,
for more information, please contact us on:

T 08 7120 8700 or 1300 MOLNAR (within Australia) F 08 8346 0097
E sales@molnarhoists.com.au www.molnarhoists.com.au

onwards & upwards