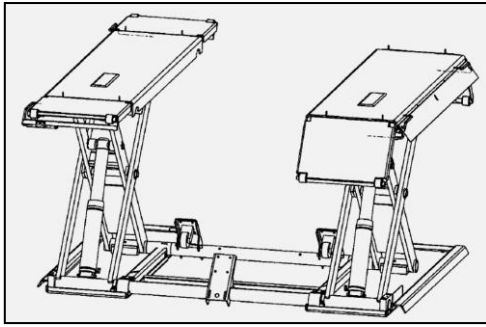


# ⚡ Electrician Wiring Guide ⚡

## Nussbaum Sprinter Mobil 3000



Supplied Control Power Type	<input type="checkbox"/> <b>3 PHASE</b>	<input type="checkbox"/> <b>SINGLE PHASE</b>
Supplied Control Unit Lead Wiring Specifications	<ul style="list-style-type: none"> <li>• 4 Core &amp; Earth (Requires Neutral)</li> <li>• Marked to European Coding Rules; <b>NEUTRAL</b> Line is <b>BLUE</b></li> </ul>	<ul style="list-style-type: none"> <li>• Active, Neutral &amp; Earth</li> <li>• Marked to European Coding Rules; <b>ACTIVE</b> marked <b>1</b> <b>NEUTRAL</b> marked <b>2</b> <b>EARTH</b> Line is <b>GREEN</b></li> </ul>
Circuit Breaker Type & Rating	<ul style="list-style-type: none"> <li>• Circuit Breaker Type: <b>Motor Start (D Curve)</b></li> <li>• Circuit Breaker Rating: <b>16 Amp</b></li> </ul>	<ul style="list-style-type: none"> <li>• Circuit Breaker Type: <b>Motor Start (D Curve)</b></li> <li>• Circuit Breaker Rating: <b>20 Amp</b></li> </ul>
<p><i>Control Unit can be permanently wired (hardwired) or left mobile instead by wiring a plug &amp; socket connection; plug &amp; socket specifications are shown below.</i></p>		
Plug & Socket Type & Rating	<b>5 Pin 20 Amp</b>	<b>3 Pin 20 Amp</b>
<b><u>NOTE:</u></b>	After wiring, check operation of 3 phase units to confirm <u>Phase Rotation</u>	To prevent overheating of single phase units, allow a minimum of <u>10 minutes</u> between complete run cycles when hoist is loaded

⚡ Wiring should only be performed by a qualified electrician in accordance with local regulations.

For more information contact Molnar Hoists – Australian Agents for Nussbaum Automotive Workshop Equipment

Call 1300 MOLNAR (665 627) or visit [www.molnarhoists.com.au](http://www.molnarhoists.com.au)