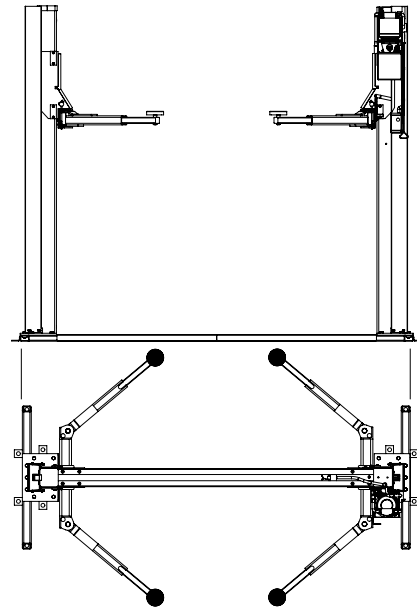
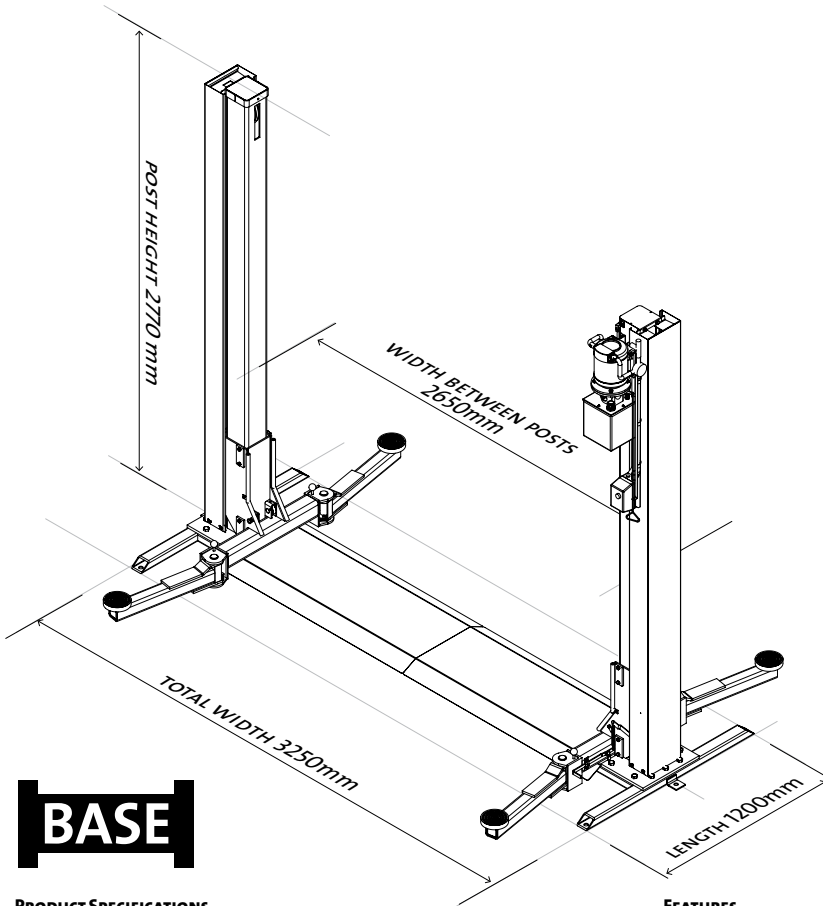


BASE

3 TONNE TWO POST HOIST MF1705-85A/3T

M O L N A R



BASE

PRODUCT SPECIFICATIONS

Footprint	3250 x 1200 mm
Length	1200 mm
Width	3250 mm
Height	2770 mm
Width Between Posts	2650 mm
Width Between Carriages	2420 mm
Width of Base Plate	575 mm
Maximum Raised Height	1900 mm
Minimum Lowered Height	110 mm
Reach of Lifting Arm	610 mm min , 1020 mm max
Motor	3 Phase, 3 HorsePower, 415 Volt * (requires 3 Phase and Earth, 5 Amp)
Lifting Capacity	3 tonnes
Minimum Lifting Time	27 seconds
Concrete Depth	min 100 mm, mesh reinforced, min strength 25 MPa
Hydraulic Oil	high quality, 46 weight, anti-wear
Gross Weight	722 kg
Shipping Dimensions	1.2 x 0.6 x 4.0 metres
Finish	powder coated for added durability
Warranty	3 years

FEATURES

Operational	auto release arm lock — automatically unlocks when hoist is lowered to ground
	push button to lift; handle to lower
	soft foam door buffers on carriage
Safety	140 mm diameter rubber pick-ups
	deadman controls (automatic stop when released)
	automatic stop for high / low positions
	protection for cable breakage, overload and hydraulic failure
Service & Installation	meets Australian Standard AS/NZ1418.9:1996
	comprehensive service manuals and installation instructions included

CUSTOMISATION

Colour	extensive range of powder coated colours available
MF1705-85A/3T-240VOLT *	optional single phase, 240 Volt motor (requires 240 Volts under load at motor, hard wired on 20 Amp circuit)

OPTIONAL ACCESSORIES

JJ3	Pick-Up Pad, Large (helps stabilise vehicle)
J3AB	Stabiliser Pad (helps stabilise vehicle)
EP10	Extension Pads (provides additional clearance)

As the policy of Molnar Hoists is one of continuous improvement, the manufacturer reserves the right to change specifications without notice.



For more information, please contact
us or your local Molnar Representative

T 08 7120 8700 F 08 8346 0097
E sales@molnarhoists.com.au
www.molnarhoists.com.au

onwards & upwards