



MICRO JACKING BEAMS

Micro 2000 & Micro 3000 Air-Hydraulic Jacking Beam with 2 & 3 Tonne Capacity



The Micro Air Over Hydraulic are for use with MOLNAR SM series Four Post Hoists.

Using a pair of Jacking Beams in tandem will provide a total 'wheels free' servicing option. A single Jacking Beam can also be used for the front and rear of the vehicle.

The Air Jacking Beam utilises an air over-hydraulic pump unit for quick, simple, strong and reliable lifting.

The top beam includes arm extensions to suit a wide range of vehicles and pick-up points.

Description

- › Double acting cylinder
- › Mechanical parking system
- › Arm extensions
- › Standard Colour RAL 2002
- › Custom colours available
- › Include Rubber Blocks (50 & 80 mm)

Versions

Micro 2000

- › 2000kg
- › Suitable for SM440-S & SM440-A

Micro 3000

- › 3000kg
- › Suitable for SM450-A, SM460-A & SM460-S

Optional Extras

- › Various sized Rubber Blocks

Service & Support

- › 3 year warranty
- › Available spare parts; shipped within 24 working hours



MICRO 2000

Application



For use on MOLNAR SM series hoists

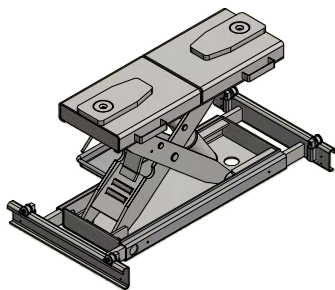
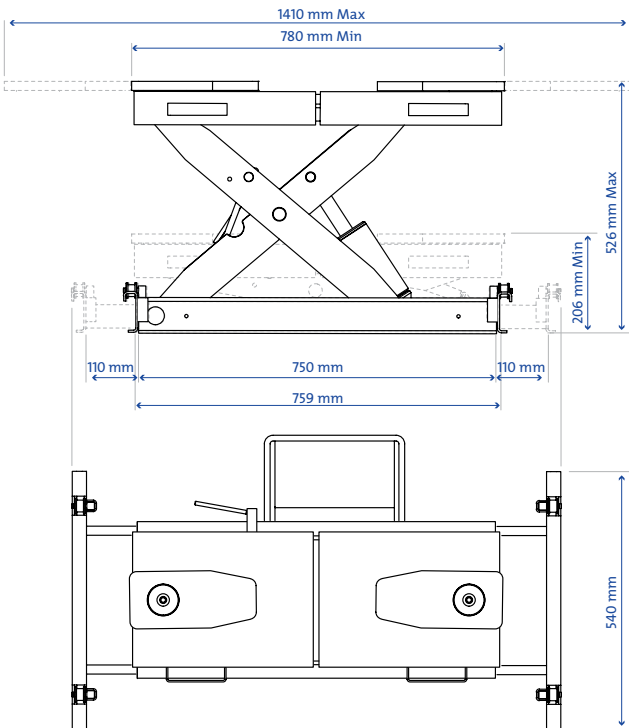


MICRO 2000

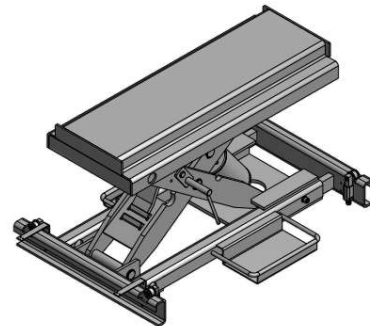
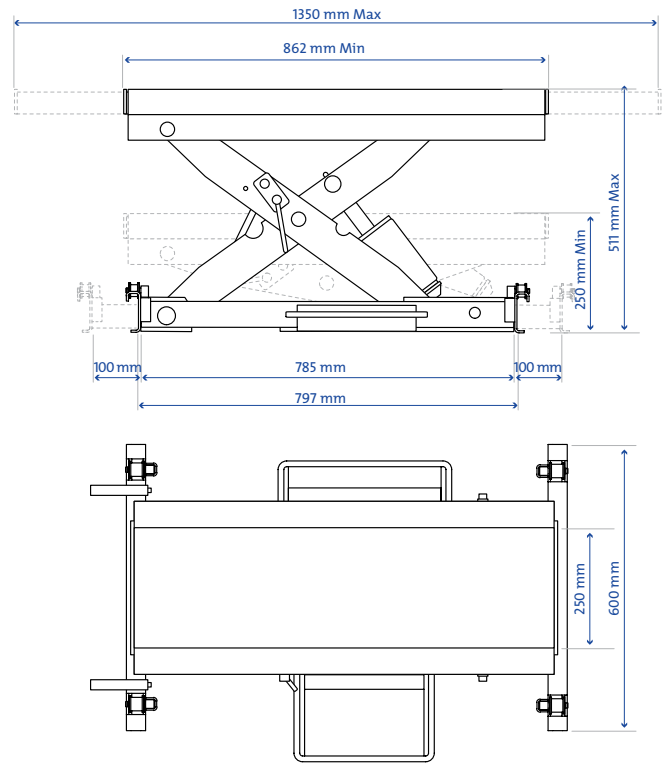
MICRO 3000

Lifting capacity	2000 kg	3000 kg
Lifting height	526 mm	511 mm
Minimum height	206 mm	250 mm
Operation	Air-hydraulic	Air-hydraulic
Extension	780-1410 mm	862-1350 mm

MICRO 2000



MICRO 3000



Specifications/Images subject to change without prior notice. To validate warranty, proof of a valid maintenance contract will be required. Images and Illustrations are indicative and may be modified without notice