



# SM75S

Electro-Mechanical Heavy Duty Mobile Column Hoist – up to 60 Tonne Capacity



The Molnar SM75S is an electro-mechanical Mobile Column Lift, available in 2, 4, 6 or 8 column configurations.

With 7,5 tonne lifting capacity per column, this allows for up to 60 tonne overall lifting capacity making this space saving product ideal for a range of vehicles and small trucks.

Designed for easy maneuverability and workshop versatility, each column includes integrated towing jacks.



## Features

### COLUMNS

- › 3KW motor with control unit and alarm signal
- › Lockable main switch for emergency stop
- › Integrated towing jack
- › Sturdy column construction for maximum versatility and vehicle access
- › Self-carrying spindle with nut sets and safety nuts
- › Mechanically adjusted wheel with locking device for automatic lowering of towing jack at approximately 600 kg load
- › Electronic columns synchronise during raising/lowering
- › All wheel sizes from 800 to 1140 mm diameter
- › Different programs to operate each pair of columns

### FORKS

- › Fixed wheel forks as standard

## Optional Extras

- › Custom colours
- › Cable versions: with
  - › Cabled 2 Column (15 tonne)
  - › Cabled 4 Column (30 tonne)
  - › Cabled 6 Column (45 tonne)
  - › Cabled 8 Column (60 tonne)

## Accessories

- › Support Stand
- › Wheel Adapters

## Service and Support

- › Three year Warranty
- › Available spare parts; shipped within 24 working hours

## Application



Repair and maintenance

Technical Data	Lifting capacity	7500 kg per column
	Lifting height	1720 mm
	Lifting / lowering time	150 seconds
	Motor	3 kW per column
	Voltage	415 V 50 Hz – 32 A
	Wheel distance	620 mm
	Stroke length	1605 mm
	Minimum height	115 mm
	Total height	2430 mm



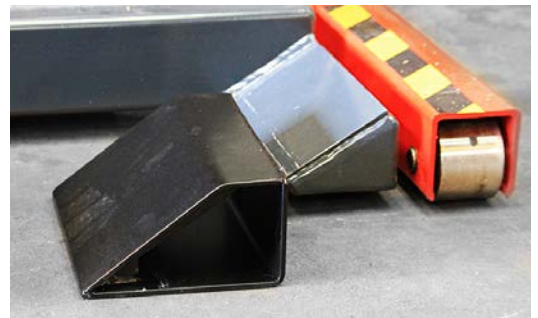
**MOLNAR**

PART OF THE STENHØJ GROUP

**UNIQUE FEATURES**



**CONTROL UNIT**



**WHEEL ADAPTER**  
WHEEL SIZES 800 – 575 MM

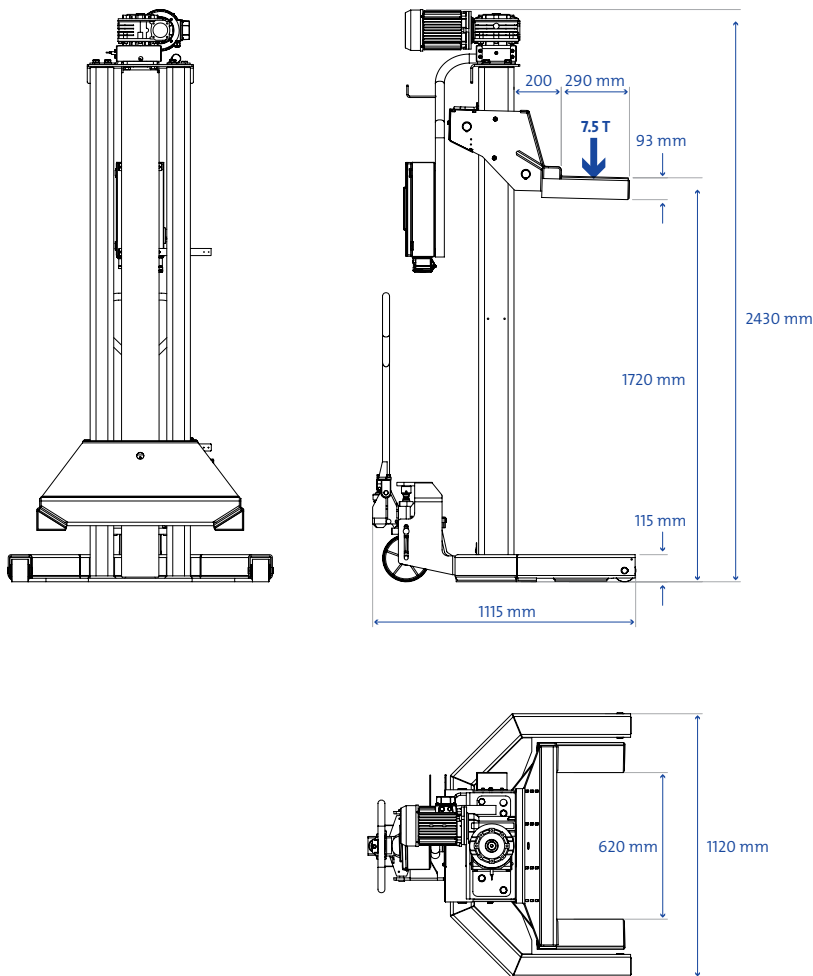


HEIGHT  
1220 – 1870 mm  
CAPACITY  
7500 KG  
PER STAND

**SUPPORT STAND WITH  
ADJUSTABLE HEIGHTS**



**PROGRAMMABLE OPERATION  
AS GROUPS, PAIRS OR SINGLE COLUMNS**



Specifications/Images subject to change without prior notice. To validate warranty, proof of a valid maintenance contract will be required. Images and Illustrations are indicative and may be modified without notice

**Lifting  
the Level**

For more information,  
please contact Molnar or your  
local Molnar Representative

[www.molnarhoists.com.au](http://www.molnarhoists.com.au)

☎ 1300 MOLNAR (1300 665 627)  
☎ 08 8234 3611 📠 08 8234 4322  
✉ [sales@molnarhoists.com.au](mailto:sales@molnarhoists.com.au)

🌐 [www.molnarhoists.com.au](https://www.molnarhoists.com.au) MolnarAustralia