



SM440-A

Electro-Hydraulic Four Post Wheel Alignment Hoist – 4 Tonne Capacity



The MOLNAR SM440-A is a 4 tonne electro-hydraulic four post vehicle hoist, ideally suited to wheel alignment for home, industrial or commercial workshops. With integrated slip plates, long run up ramps and ample provision for the addition of turntables, this product is ideally suited passenger cars to light commercial vehicles.

The product has been designed to optimise operator access and workshop space, making it one of the most versatile four post hoist on the market.

Features

POSTS

- › Integrated eccentric brake system
- › Large diameter pulleys
- › Motor and control unit located on rear right post
- › Push button control unit
- › Emergency stop and lowering valve
- › Hydraulic cylinder under right platform

PLATFORMS / RAMPS

- › Platforms suited to Micro 2000 – MOLNAR Jacking Beam
- › Long run up ramps for easy vehicle approach
- › Slip plates included
- › Large provision for turntables

Options

- › Single Phase Motor
- › Custom colours

Accessories

- › Installation kit – oil and bolts
- › Micro 2000 – 2 Tonne air-hydraulic Jacking Beam

Service & Support

- › 3 year warranty
- › Available spare parts; shipped within 24 working hours



Application



Check-in



Repair and maintenance



Testing



Wheel alignment



Technical Data

Lifting capacity	4000 kg
Lifting height	1750 mm
Lifting / lowering time	50 seconds / 30 seconds
Pump unit	2.2 kW Motor
Voltage	3 Phase + Earth 415V 50Hz Optional single phase

Platforms

Total length	5595 mm
Platform length	4435 mm
Wheel base	Variable
Platform width	562 mm
Distance between platforms	928 mm
Minimum height	236 mm
Width between posts	2734 mm
Total width (outer edges base plates)	3095 mm

UNIQUE FEATURES



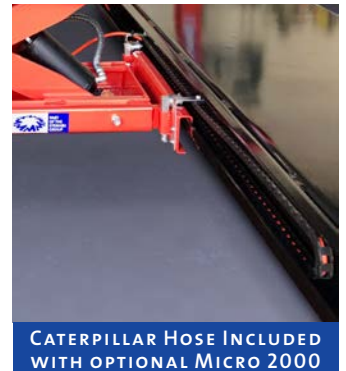
LONG RECESS FOR CUSTOMISED POSITIONING OF TURNTABLE



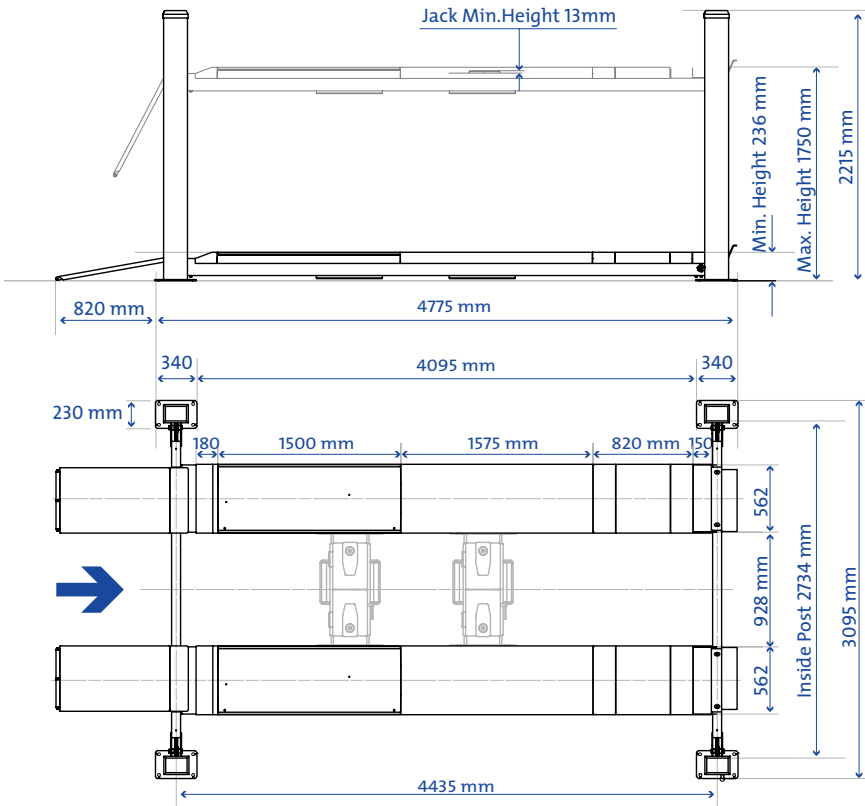
CONTROL UNIT / PUMP



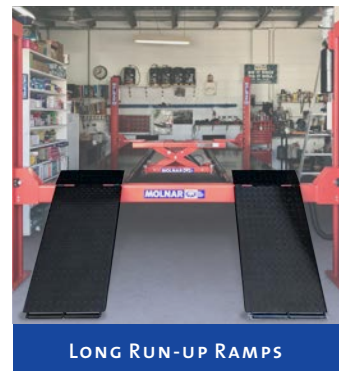
MICRO 2000 JACKING BEAM OPTIONAL



CATERPILLAR HOSE INCLUDED WITH OPTIONAL MICRO 2000



SLIP PLATES



LONG RUN-UP RAMPS

Specifications/Images subject to change without prior notice. To validate warranty, proof of a valid maintenance contract will be required. Images and Illustrations are indicative and may be modified without notice

*Lifting
the Level*

For more information, please contact MOLNAR or your local MOLNAR Representative

www.molnarhoists.com.au

☎ 1300 MOLNAR (1300 665 627)
☎ 08 8234 3611 📠 08 8234 4322
✉ sales@molnarhoists.com.au

🌐 www.molnarhoists.com.au MolnarAustralia