

# SM440-S

Electro-Hydraulic Four Post Service Hoist – 4 Tonne Capacity



The MOLNAR SM440-S is a 4 tonne electro-hydraulic four post vehicle hoist, ideally suited to servicing for home, industrial or commercial workshops. With long run up ramps this product is ideally suited for passenger cars to light commercial vehicles.

The product has been designed to optimise operator access and workshop space, making it one of the most versatile four post hoist on the market.

## Features

### POSTS

- › Integrated eccentric brake system
- › Large diameter pulleys
- › Motor and control unit located on rear right post
- › Push button control unit
- › Emergency stop and lowering valve
- › Hydraulic cylinder under right platform

### PLATFORMS / RAMPS

- › Platforms suited to Micro 2000 – MOLNAR Jacking Beam
- › Long run up ramps for easy vehicle approach

## Options

- › Single Phase Motor
- › Custom colours

## Accessories

- › Installation kit – oil and bolts
- › Micro 2000 – 2 Tonne air-hydraulic Jacking Beam

## Service & Support

- › 3 year warranty
- › Available spare parts; shipped within 24 working hours



## Application



Check-in



Testing



Repair and maintenance



**MOLNAR**  
By NEXION

Technical Data

Lifting capacity	4000 kg
Max lock height	1750mm
Lifting / lowering time	50 seconds / 30 seconds
Pump unit	2.2 kW Motor
Voltage	3 Phase + Earth 415V 50Hz Optional single phase

Platforms

Total length	5595 mm
Platform length	4435 mm
Wheel base	Variable
Platform width	550 mm
Distance between platforms	940 mm
Minimum height	184mm
Width between posts	2734 mm
Total width (outer edges base plates)	3095 mm

**UNIQUE FEATURES**



Long Run-up Ramps



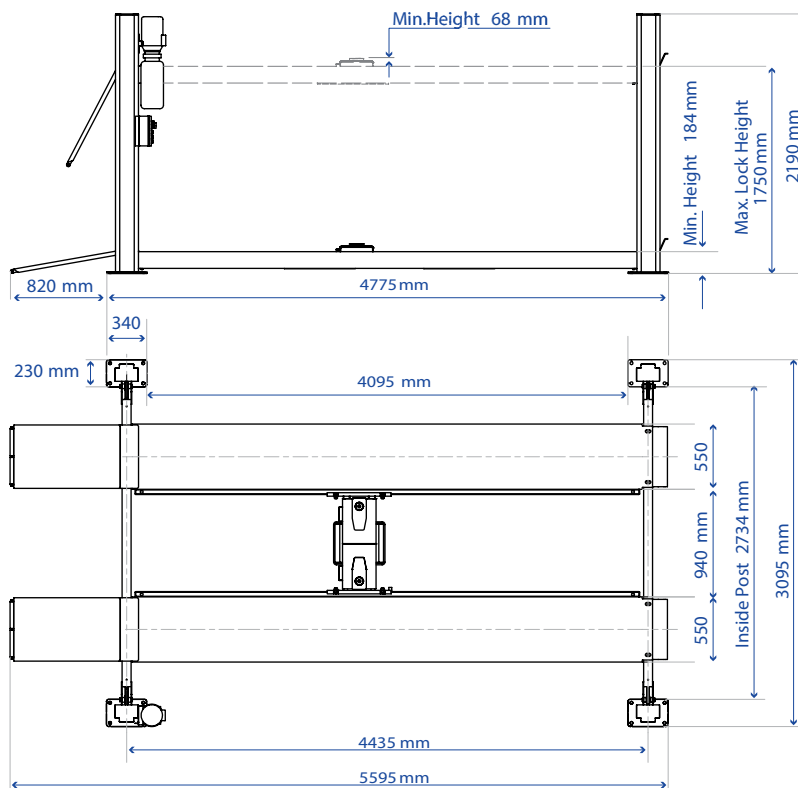
Control Unit / Pump



Micro 2000 Jacking Beam  
Optional



Caterpillar Hose Included  
with optional Micro 2000



Specifications/Images subject to change without prior notice. To validate warranty, proof of a valid maintenance contract will be required. Images and Illustrations are indicative and may be modified without notice

Lifting  
the Level

For more information, please  
contact MOLNAR or your  
local MOLNAR Representative

☎ 1300 MOLNAR (1300 665 627)  
☎ 08 8234 3611 📠 08 8234 4322  
✉ sales@molnarhoists.com.au

[www.molnarhoists.com.au](http://www.molnarhoists.com.au)

🌐 📺 MolnarAustralia